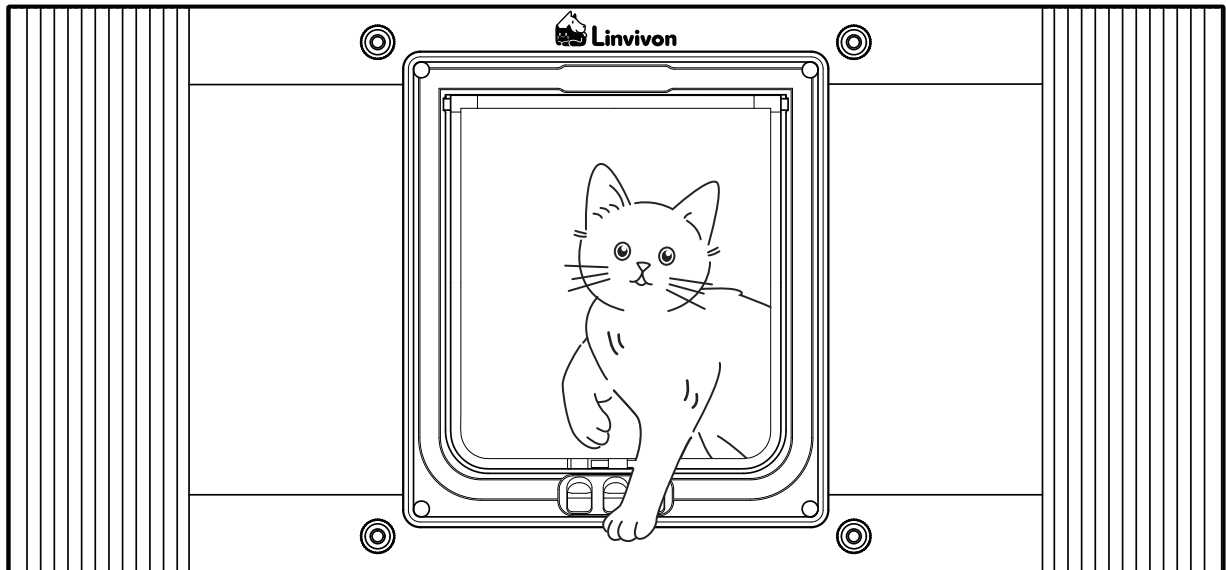




Pet Door for Window



Model: CD-01

User Manual

Quick-Fit Cat Door Window Insert

WARRANTY & CUSTOMER SERVICE

We offer a 100% satisfaction guarantee and 12 months warranty! If you have any questions about this product, please feel free to contact us at support@ilinvivon.com

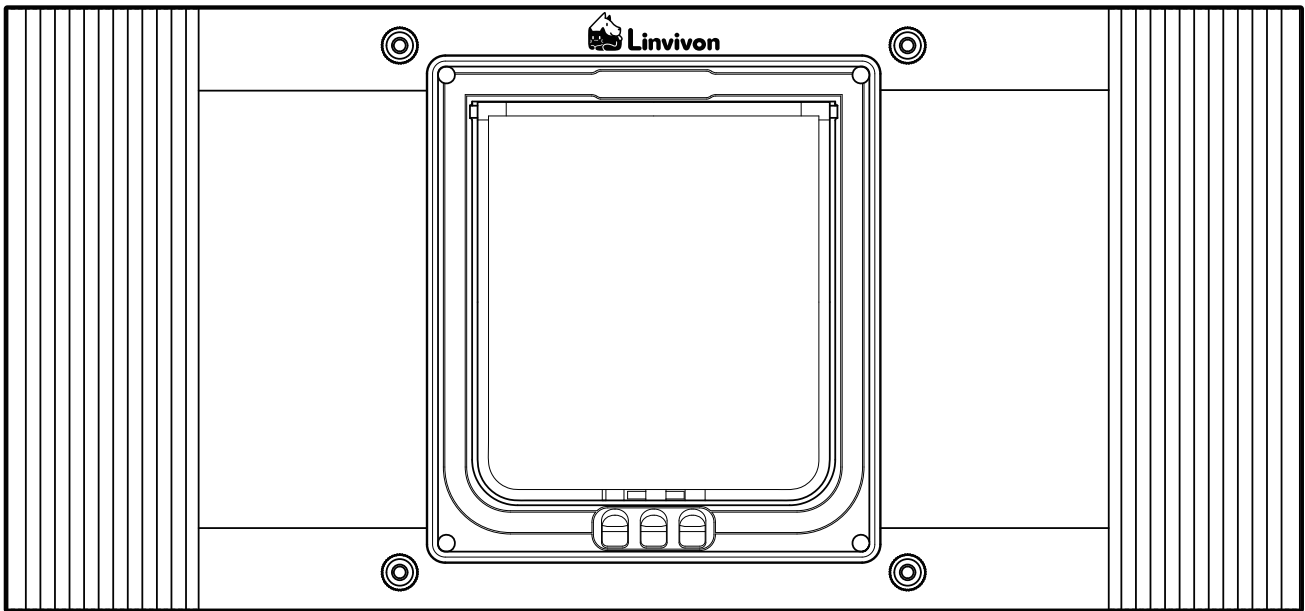
24 Hours Customer Support: Linvivon Customer Service Team
Mail: support@ilinvivon.com

MADE IN CHINA

WARNING

- Do not directly fix to hollow bricks or lightweight partition panels.
- It is prohibited to use cat door for window as the only activity space for cats, and sufficient activity areas must be ensured indoors.
- Do not hang heavy objects on the door, such as cat climbing trees or bird cages.
- It is recommended to temporarily close and lock the cat door for window during thunderstorms, preventing cats from getting electric shock or being startled by lightning and hitting the door.
- It is forbidden to use tape for temporary repairs when holes are found in the frame. Contact after-sales immediately to avoid cats drilling out or external animals invading.
- Purchasers/Homeowners with swimming pools should ensure the pet door is always monitored, and that the swimmingpool has adequate barriers to entry.
- When children are present in the home, it is important to consider the pet door during childproofing activities. A child may misuse the pet door, potentially resulting in injury or bodily harm from improper use of the pet door or from accessing other hazards by inadvertently accessing unintended areas.
- Please keep children away from the pet door.

Product Parameter



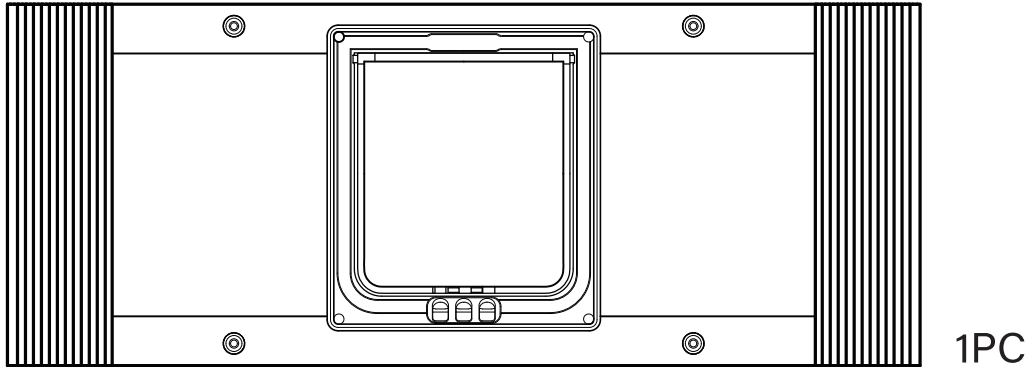
Specification		
	Product Size	N.W.
S	28"L * 0.8"W * 13"H	2.9kg
M	32"L * 0.8"W * 13"H	3.2kg
L	36"L * 0.8"W * 13"H	3.6kg

Name	Pet Door for Window
Model	CD-01
Material	Aluminum alloy + 4mm tempered glass + plastic

Accessories List

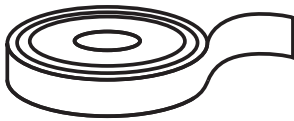
A

Pet Door



B

Foam Buffer



1PC

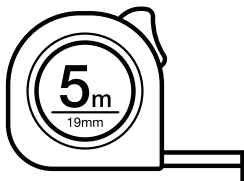
C

Windproof Strip



1PC

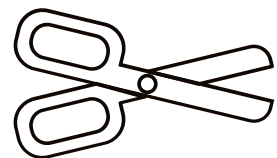
Tools and Materials Preparation



Tape Measure



Caliper

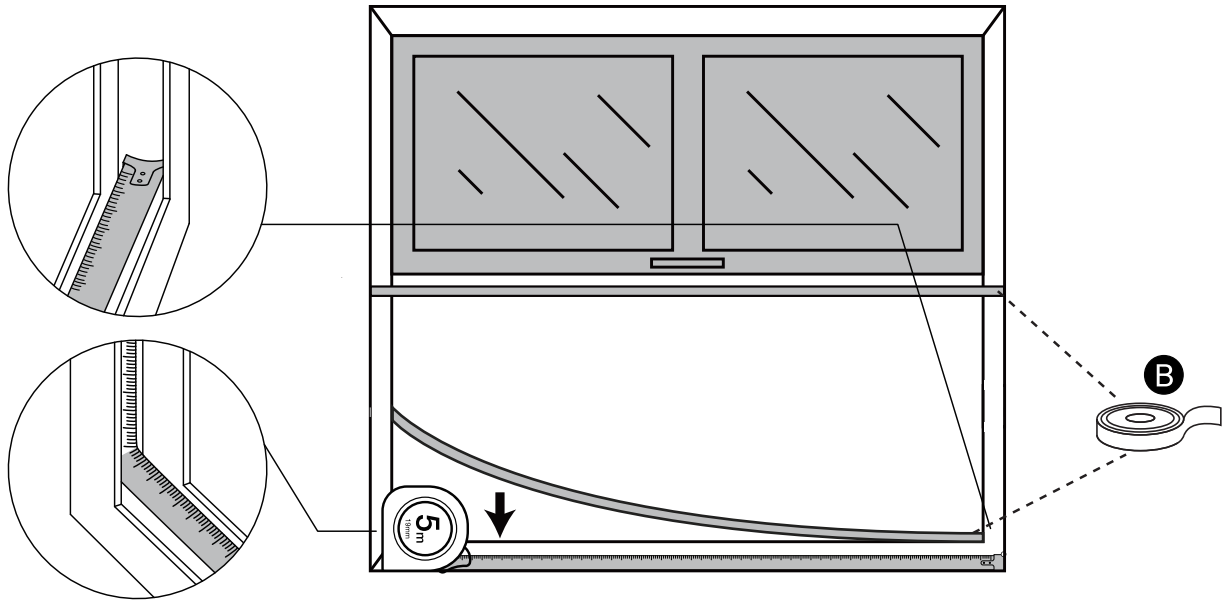


Scissors

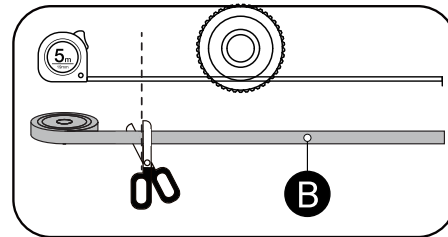
Installation Method

Step 1

Measure the length and width of window bottom and top edge from left to the right

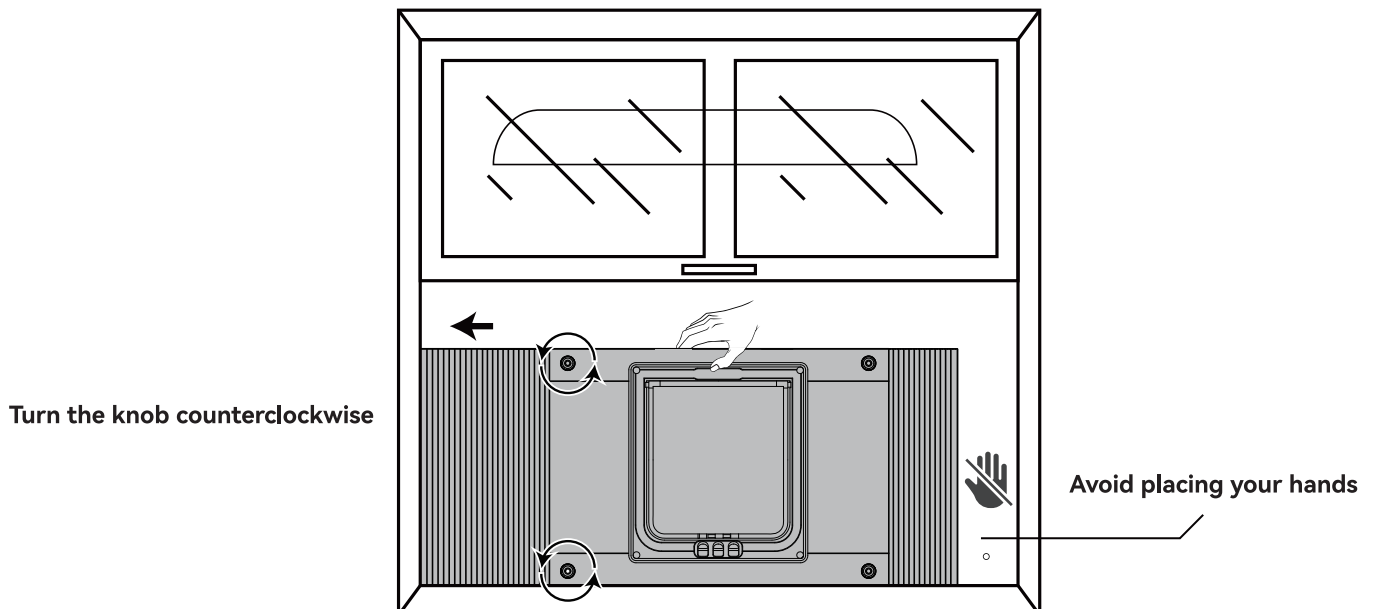


Cut the foam buffer then adhere it on the top and bottom of window notches



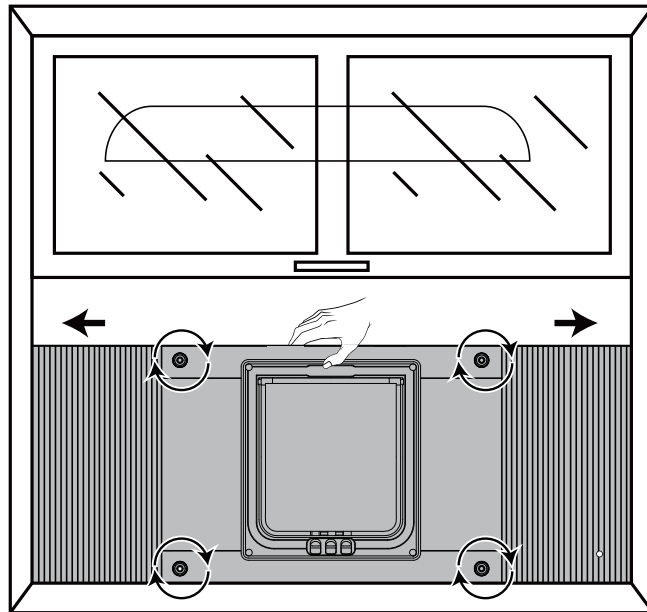
Step 2

Place the pet door in position; Loosen the upper and lower knobs on the same side, expand the cat window door to edges



Step 3

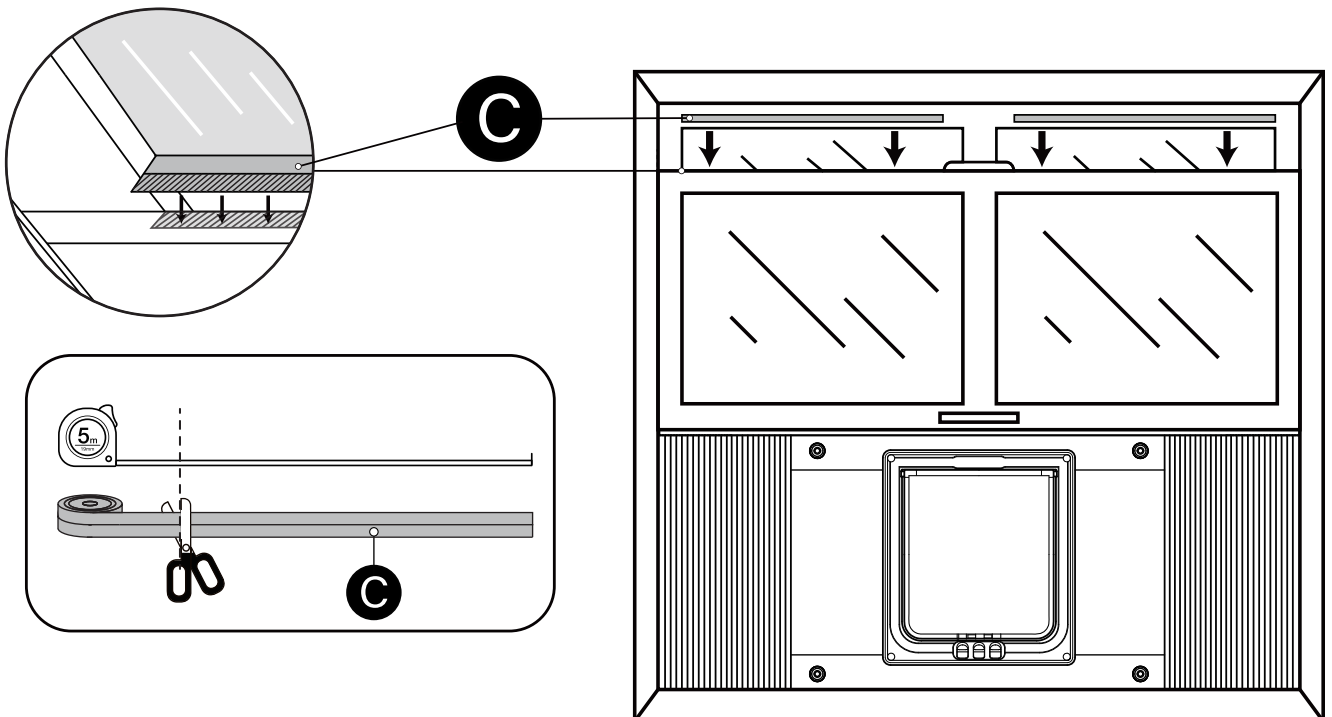
Adjust the cat door position then tighten the knobs to secure width



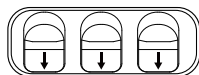
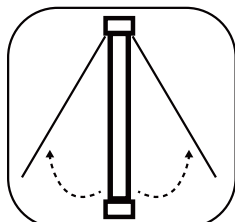
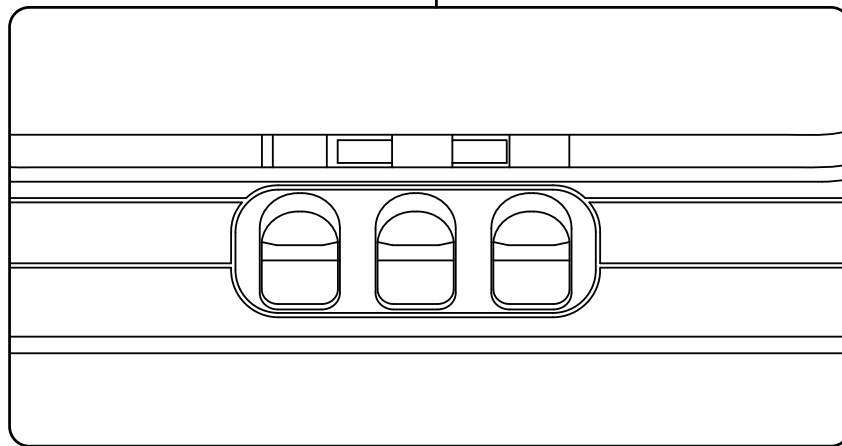
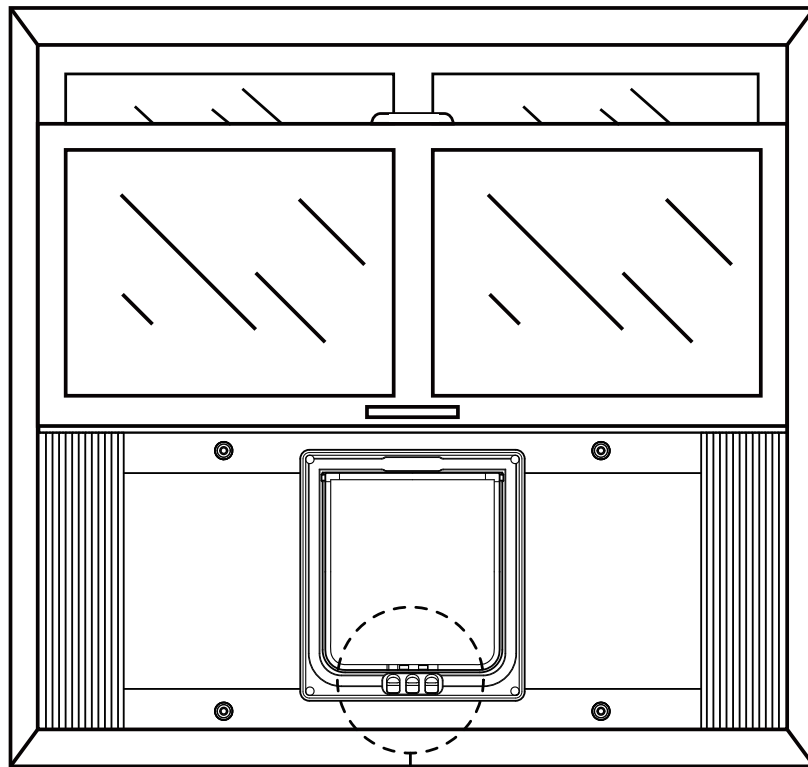
Turn the knob clockwise to secure the pet door

Step 4

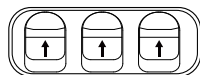
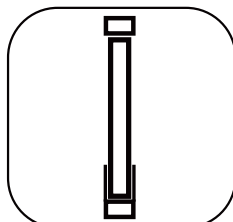
Cut off the windproof strip, then adhere it to the top of the window frame



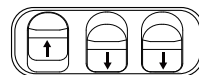
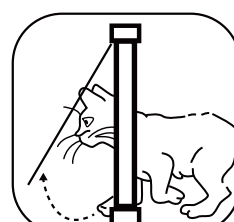
Function Introduction



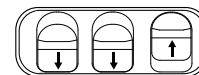
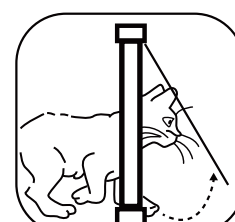
Free access



Locked



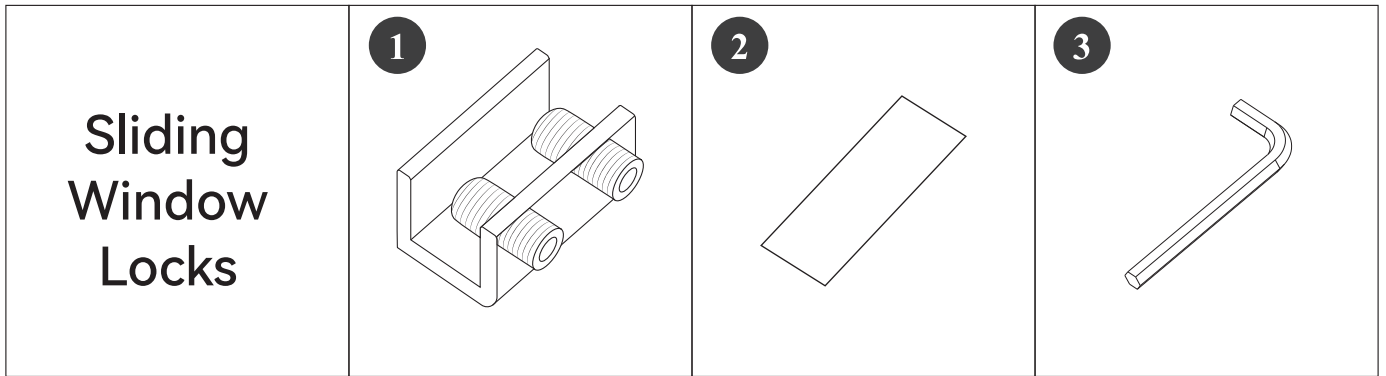
Out only



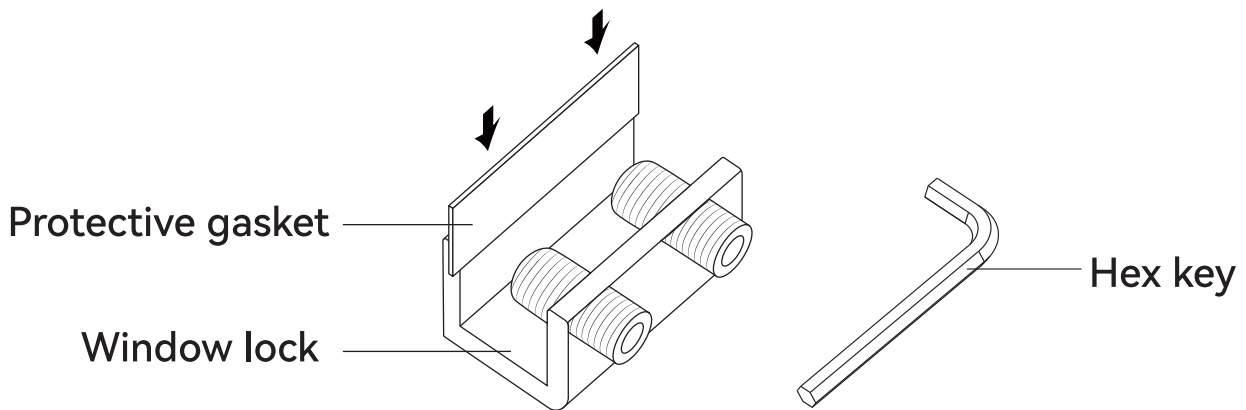
In only

Install Window Locks

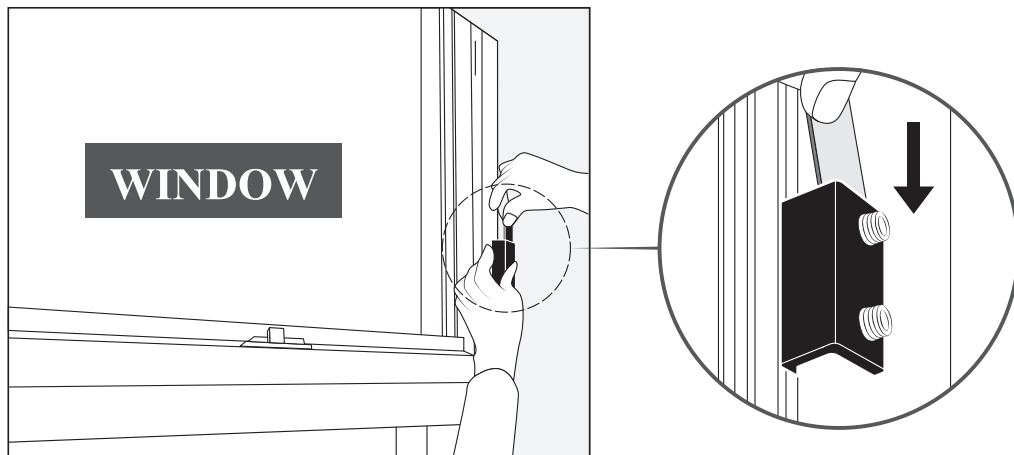
1. Install window locks.



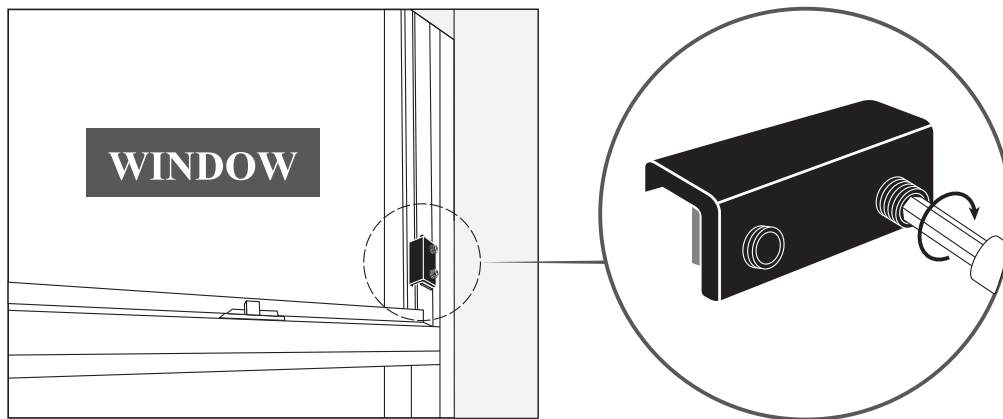
2. Place the lock to a suitable position.



3. Insert protective gasket into window track to prevent scratches.



4. Use the hex key to tighten the screws.



5. Finally, can stop the window from opening.



Notice:

Once the installation is complete, test the item to ensure it's functioning as intended. This may involve running diagnostic checks or performing trial runs.

CAUTION

- This pet door is not a fire door.
- The purchaser of the pet door is responsible, prior to installation, for adhering to all applicable local, state, and federal HOA and building policies that may affect the installation of the pet door.
- It is important for the purchaser to consider any risks that may be present inside or outside of the pet door, and the purchaser assumes all risk and liability of misuse of the pet door.
- The purchaser further assume liability of any risks that may be created by subsequent changes to your property and how they may relate to the existence and use, including misuse of the pet door.
- Preparation: Prepare the installation site by clearing any obstructions and ensuring that the area is clean and suitable for the installation. This may be measured or adjusted as needed.
- Safety precautions: Utilize appropriate safety equipment and tools as recommended in the instruction manual. For example: scissors, measuring tape, gloves.
- Please first check the quantity of accessories according to the list, confirm that you have received all product components, and check for any damaged parts.
- Read the instructions: Before beginning the installation process, carefully read through the provided instructions or manual. This will give you a clear understanding of the steps involved and any specific requirements for the installation.
- Testing: After installation is complete, the product must be tested to ensure it operates as intended. This may include performing diagnostic checks or conducting a trial run.
- Regular inspections: Regularly inspect the securing screws of the door for looseness, the protective mesh for damage, and the locking mechanisms for proper functioning. Promptly address any issues found.
- Cleaning & maintenance: Keep the surface of the door clean to avoid the accumulation of dust or debris, which could affect its appearance and performance. When cleaning, use a soft cloth and a neutral cleaner, avoiding strongly corrosive cleaners.